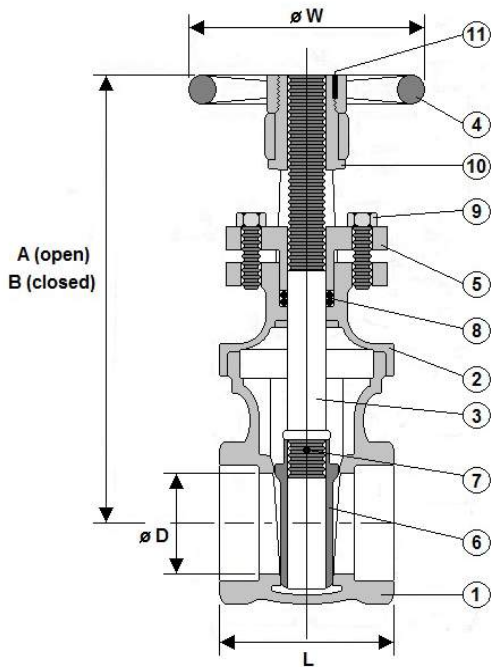




# OS&Y Gate Valve

Exclusively crafted for Brecco

- Bronze Screwed Ends Outside Screw & Yolk
- UL Listed/ FM Approved @ 175 Lbs.
- WOG 100% Pressure Tested Rising Stem



MATERIAL LIST		
NO.	DESCRIPTION	MATERIAL
1	Body	Bronze (ASTM B62 C83600)
2	Bonnet	Bronze (ASTM B62 C83600)
3	Stem	Brass Alloy (ASTM B271 C8600)
4	Handwheel	Cast Iron
5	Packing Gland	Bronze (ASTM B62 C83600)
6	Disc	Bronze (ASTM B62 C83600)
7	Disc Pin	Stainless Steel (Type 304)
8	Gland Packing	Graphite
9	Stud	Steel (A307 ZNFL)
10	York Bushing	Brass (B124 C37700)
11	Set Screw	Steel (A307 ZNFL)

PART #	SIZE	A	B	L	øD	øW
2200-10	1"	7.74"	6.42"	2.72"	1.00"	3.15"
2200-20	1-1/4"	8.69"	7.15"	2.95"	1.25"	3.15"
2200-30	1-1/2"	9.57"	7.76"	3.23"	1.50"	3.94"
2200-40	2"	10.87"	8.94"	3.57"	2.00"	4.73"

The information contained herein is believed to be reliable but is for guidance only. Brecco Distribution and its agents cannot assume liability for results obtained in the use of its products by the persons whose methods are outside or beyond our control. It is the user's responsibility to determine the suitability of any products, methods of use, or preparation prior to use, mentioned in our literature. It is the user's responsibility to observe and adapt such precautions as may be advisable for the protection of personnel and property in the handling and use of any of our products.

### Brecco Distribution Corp.

77 N. 45th Avenue Ste #1 Phoenix, AZ. 85043  
 P: (800)543-4194 F: (602)484-9248